



305608 Angular contact ball bearings, double row

Angular contact ball bearings, double row

Bearing data

[Tolerances](#),

Normal, P6, P5,

[Internal clearance](#),

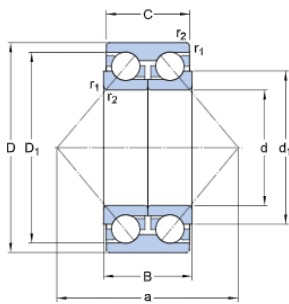
table, drawing no

Bearing interfaces

[Seat tolerances for standard conditions](#),

[Tolerances and resultant fit](#)

Technical specification

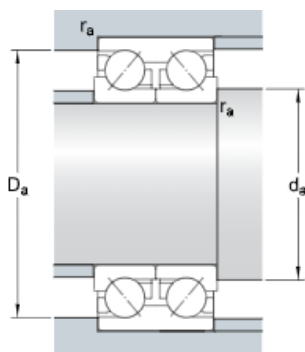


DIMENSIONS

d	160 mm	Bore diameter
D	215 mm	Outside diameter
B	56 mm	Width
C	50 mm	Width outer ring
d1	≈ 181 mm	Shoulder diameter inner ring for two-piece inner ring
D ₁	≈ 203.1 mm	Shoulder diameter outer ring
r _{1,2}	min. 2 mm	Chamfer dimension inner ring for two-piece inner ring
a	185 mm	Distance pressure point(s)

ABUTMENT DIMENSIONS

d _a	min. 165 mm	Abutment diameter shaft
D _i	max. 201 mm	Abutment diameter housing
r _a	max. 1 mm	Fillet radius



CALCULATION DATA

C	135 kN	Basic dynamic load rating
C ₀	220 kN	Basic static load rating
P _u	6.8 kN	Fatigue load limit
	2 800 r/min	Reference speed
	3 000 r/min	Limiting speed
k _r	0.095	Calculation factor
e	1.14	Calculation factor
X	0.57	Calculation factor
Y ₀	0.52	Calculation factor
Y ₁	0.55	Calculation factor
Y ₂	0.93	Calculation factor

MASS

	5.67 kg	Mass bearing
--	---------	--------------